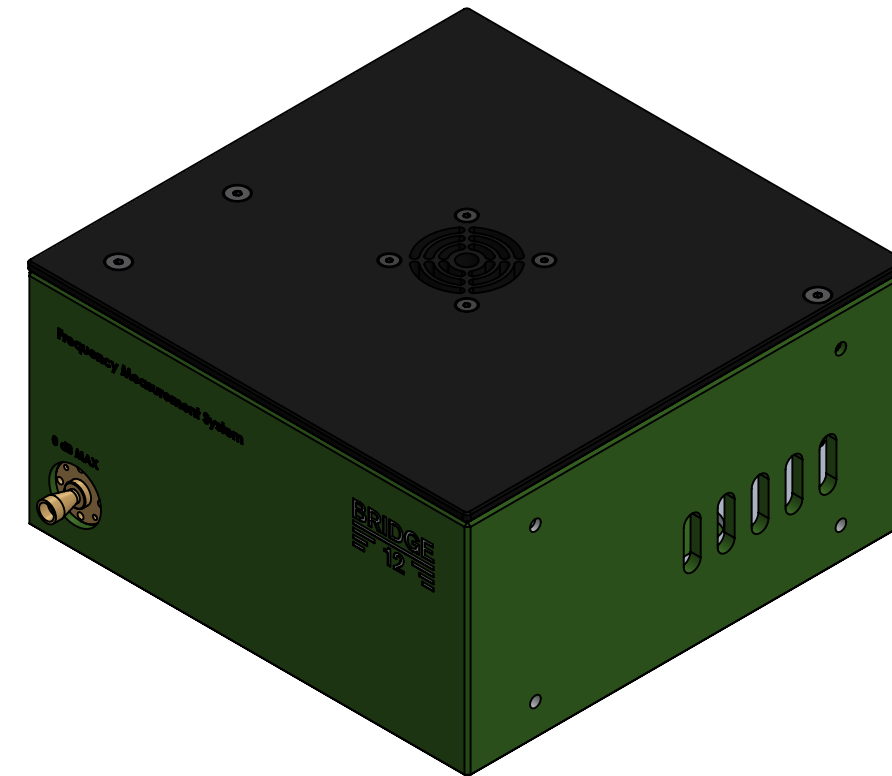


4

3

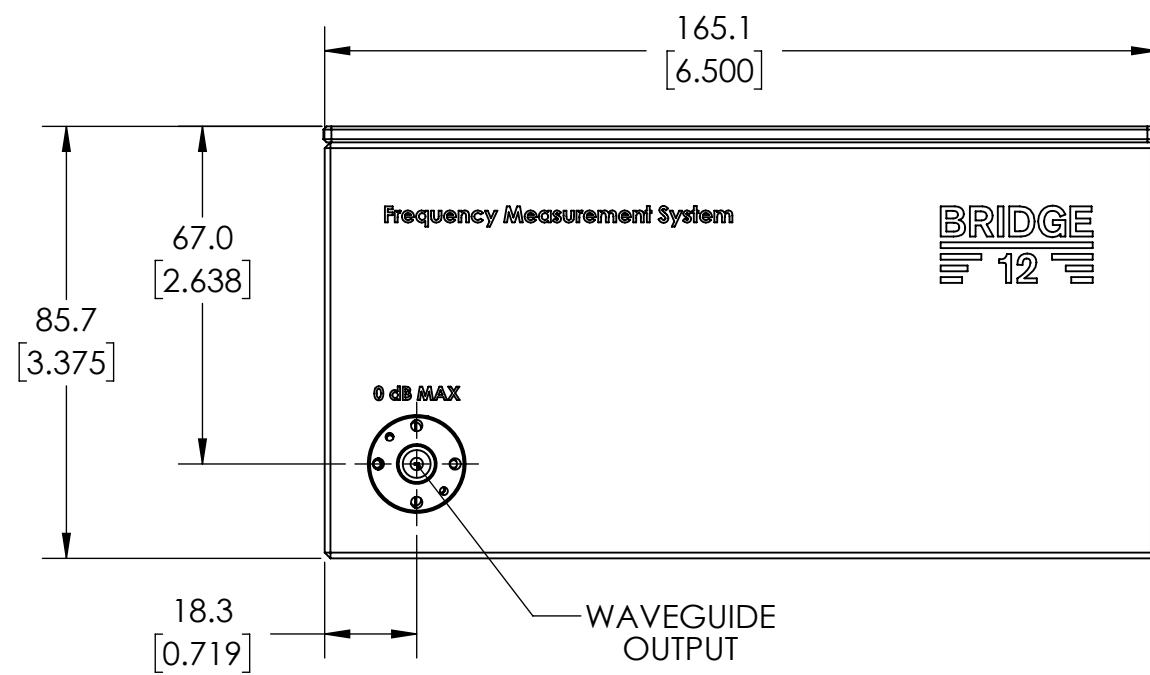
2

1



B

A



WEGIHT : ~4.0 KG [8.9 LBS]  
 UNITS: MM [INCHES]

UNLESS OTHERWISE SPECIFIED: DIMENSIONS ARE IN INCHES		TITLE: FREQUENCY MEASUREMENT SYSTEM			
TOLERANCES: ANGULAR: MACH ± 1 BEND ± 3 ANGULAR ONE DECIMAL ± 0.1 TWO PLACE DECIMAL ± 0.02 THREE PLACE DECIMAL ± 0.005		<b>PROPRIETARY AND CONFIDENTIAL</b> THE INFORMATION CONTAINED IN THIS DRAWING IS THE SOLE PROPERTY OF BRIDGE12 TECHNOLOGIES, INC. ANY REPRODUCTION IN PART OR AS A WHOLE WITHOUT THE WRITTEN PERMISSION OF BRIDGE12 IS PROHIBITED.			
INTERPRET GEOM. TOLERANCING PER: ASME Y14.5 - 2018		NAME	DATE	SIZE DWG. NO.	REV
MATERIAL		MODEL	CRG	2024-07-11	
FINISH		DRAWN	CRG	2024-08-07	
DO NOT SCALE DRAWING		CHECKED			
		APPROVED			
				B	122002967
				SCALE: 1:2	WEIGHT: 4001.658 SHEET 1 OF 2

4

3

2

1

4

3

2

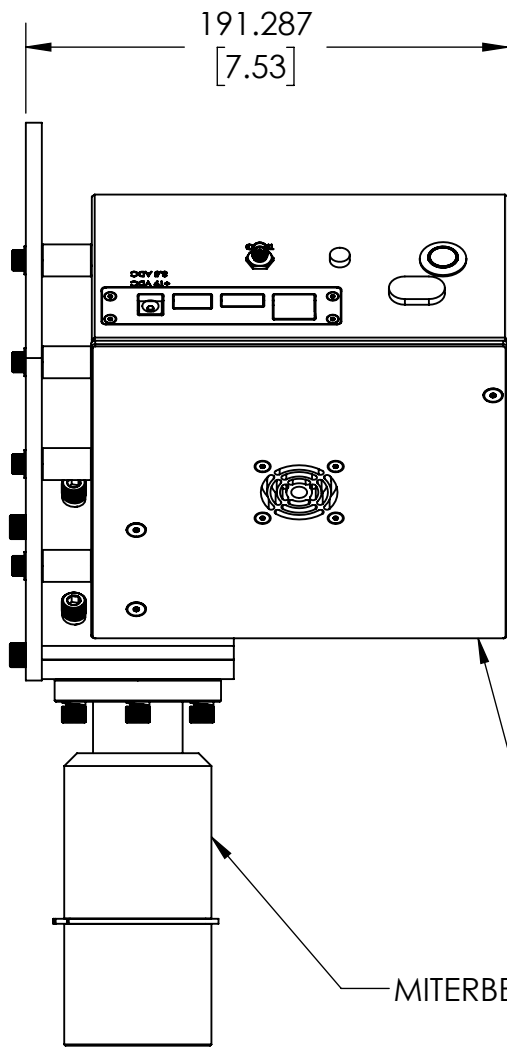
1

B

B

A

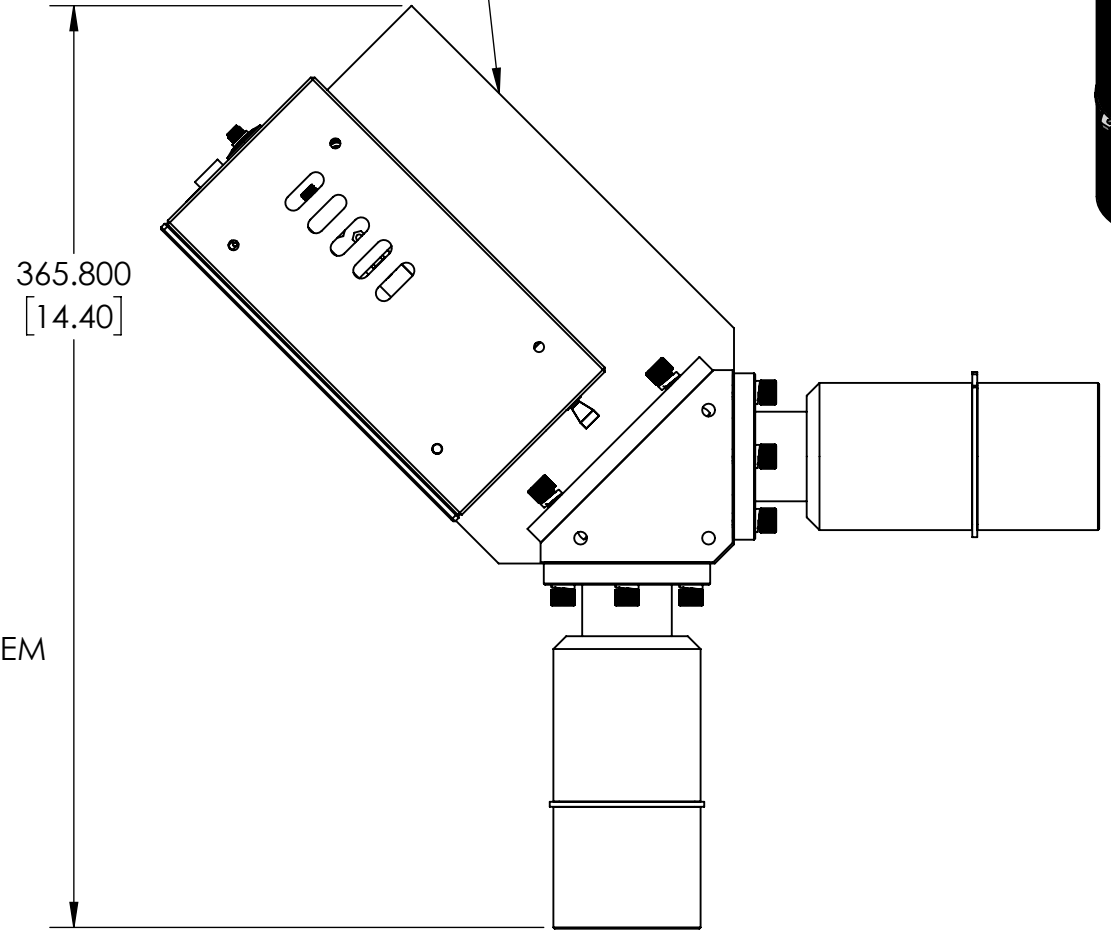
A



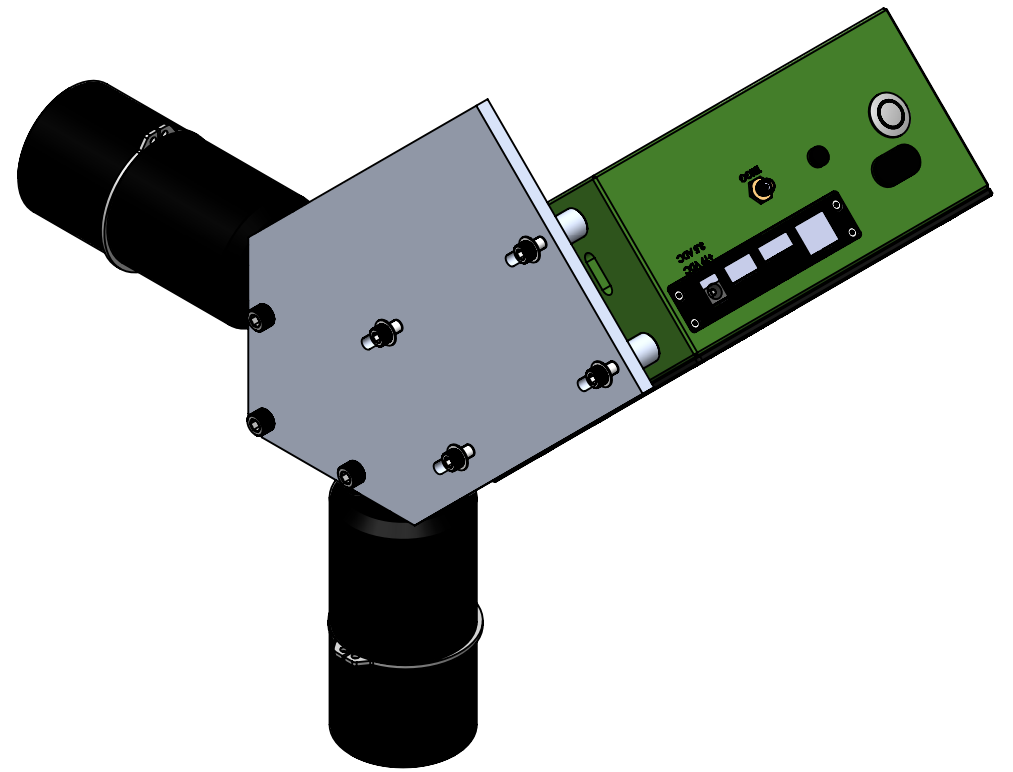
FREQUENCY MEASUREMENT SYSTEM

MITERBEND ASM

FREQUENCY MEASUREMENT SYSTEM MOUNT PLATE



365.800  
[14.40]



WEGIHT : ~ 7.41 KG [16.3 LBS]  
 UNITS: MM [INCHES]

UNLESS OTHERWISE SPECIFIED:  
 DIMENSIONS ARE IN INCHES

TOLERANCES:  
 ANGULAR: MACH ± 1 BEND ± 3  
 ANGULAR ONE DECIMAL ± 0.1  
 TWO PLACE DECIMAL ± 0.02  
 THREE PLACE DECIMAL ± 0.005

INTERPRET GEOM. TOLERANCING  
 PER: ASME Y14.5 - 2018

MATERIAL

FINISH

DO NOT SCALE DRAWING

TITLE: FREQUENCY MEASUREMENT SYSTEM MOUNT ASM

**PROPRIETARY AND CONFIDENTIAL**  
 THE INFORMATION CONTAINED IN THIS DRAWING IS THE SOLE PROPERTY OF BRIDGE12 TECHNOLOGIES, INC. ANY REPRODUCTION IN PART OR AS A WHOLE WITHOUT THE WRITTEN PERMISSION OF BRIDGE12 IS PROHIBITED.



NAME	DATE	SIZE	DWG. NO.	REV
MODEL	CRG	2024-07-11	B	122002983
DRAWN	CRG	2024-08-07		
CHECKED				
APPROVED			SCALE: 1:10 WEIGHT: 4001.658 SHEET 2 OF 2	

4

3

2

1